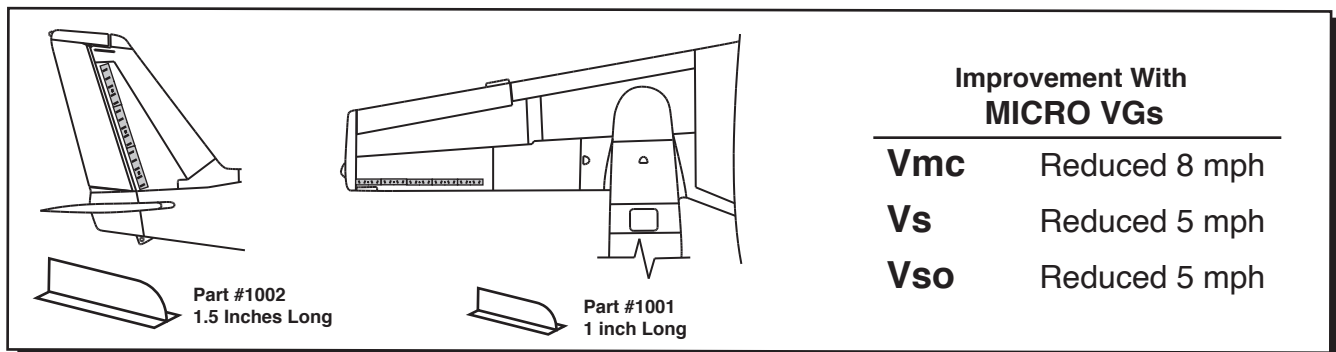
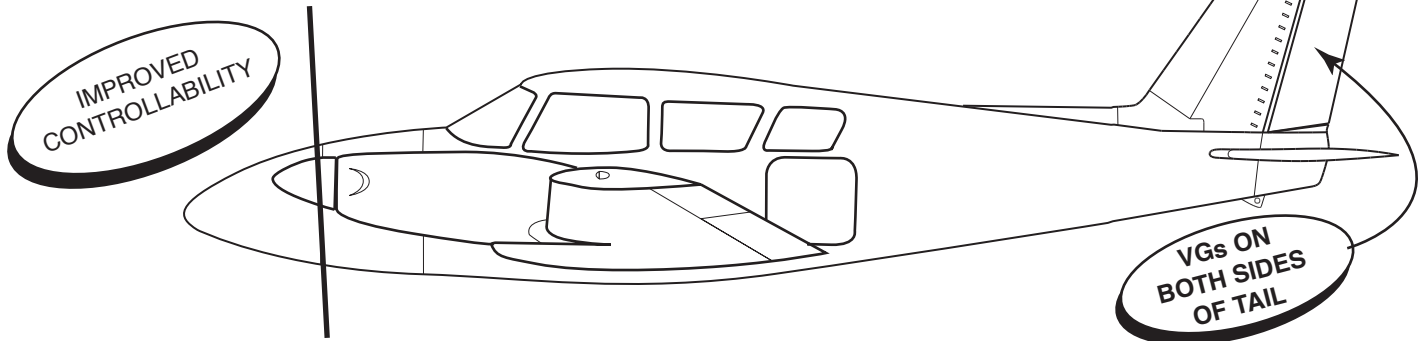


# Piper Twin Comanche PA-30, PA-39

## MICRO Vortex Generator Kit



### Improvement With MICRO VGs

<b>V<sub>mc</sub></b>	Reduced 8 mph
<b>V<sub>s</sub></b>	Reduced 5 mph
<b>V<sub>so</sub></b>	Reduced 5 mph

### About MICRO Vortex Generators:

The **MICRO Vortex Generators** for the Piper Twin Comanche are now FAA STC approved and ready for installation on your airplane. This jet age technology provides reduced V<sub>mc</sub>, a dramatic improvement in characteristics, reduced stall speeds, and improved safety.

The **Micro VG Kit** consists of 40 vortex generators mounted on the wings, just aft of the leading edge and 15 vortex generators mounted on each side of the vertical stabilizer. Included are the STC, detailed drawings and instructions, templates for positioning VGs, spares, Loctite AA 330 adhesive and all the materials needed for the easy one day installation.

The **Micro Vortex Generators** are manufactured under our FAA PMA from aircraft grade 6063-T6 aluminum, alodined to a mil-spec, ready for painting.

When placing your order for a **Micro VG Kit**, please provide the Serial Number and Registration Number. We can ship the same day if your kit is ordered Alodined. An option for pre-painted VGs is available for an additional charge. Amex, VISA, MasterCard, Discover and COD orders accepted. Please call for further information.

- Reduced V<sub>mc</sub>, V<sub>s</sub>, V<sub>so</sub>
- FAA STC Approved
- Easy One Day Installation
- Improved Characteristics
- Improved Lateral Stability
- Kit Price \$2145 plus S&H



**MICRO**  
AERODYNAMICS INC.  
Vortex Generator Technology

(800) 677-2370  
4000 Airport Road, Suite D  
Anacortes, Washington 98221  
(360) 293-8082 FAX (360) 293-5499  
[www.microaero.com](http://www.microaero.com)  
[micro@microaero.com](mailto:micro@microaero.com)