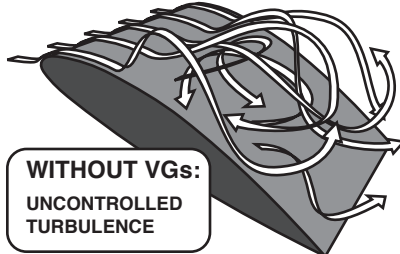
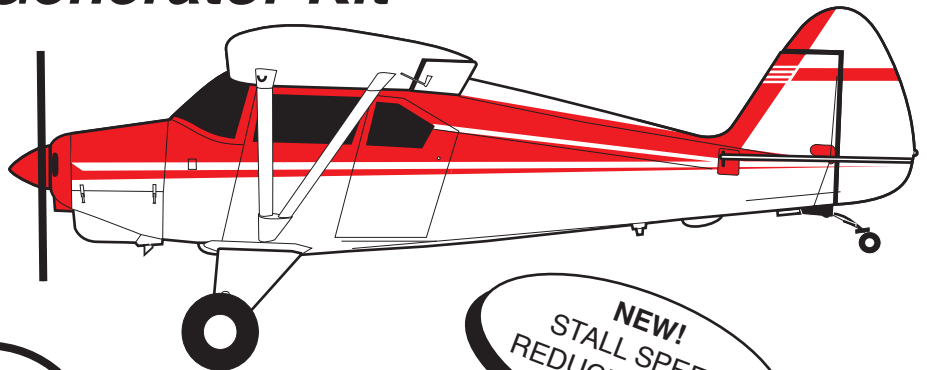
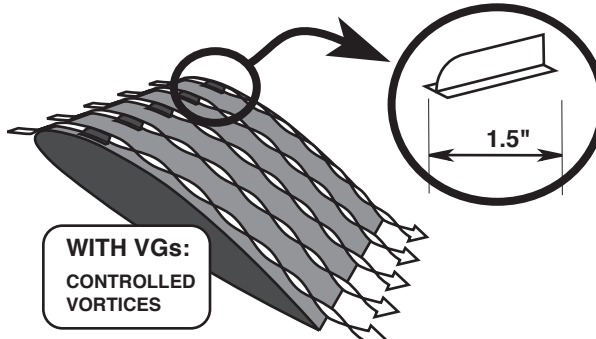


# Piper PA-20 Pacer

## MICRO Vortex Generator Kit



WITHOUT VGs:  
UNCONTROLLED  
TURBULENCE



WITH VGs:  
CONTROLLED  
VORTICES

	WITHOUT VGs	WITH VGs	% REDUCTION
FLAPS UP:	58 mph	53 mph	8%
FLAPS 50%:	55 mph	50 mph	9%
FLAPS FULL:	53 mph	47 mph	11%

1.5"

### About MICRO Vortex Generators

The **MICRO Vortex Generators** for the Piper PA-20 Pacer are now FAA STC approved and ready for installation on your airplane. This jet age technology provides a 5 to 6 mph reduction in stall speed, improved aileron response, reduced landing and takeoff roll.

The **Micro VG Kit** consists of 60 Vortex Generators mounted on the wings, just aft of the leading edge, and 24 Vortex Generators mounted on the horizontal stabilizer. Included are installation tools, detailed drawings and instructions, templates for positioning VGs, spares, Loctite Depend adhesive and all the materials needed for the easy one day installation.

The **Micro Vortex Generators** are manufactured under our FAA PMA from aircraft grade 6063-T6 aluminum, alodined to a mil-spec, ready for painting. Each VG is curved on the bottom to fit the contour of the wing.

When placing your order for a **Micro VG Kit**, please provide the Serial Number and N-Number. We can ship the same day if your kit is ordered Alodine, ready to be painted. We can paint the VGs to match your airplane for an additional \$250 per color. Painted kits will ship within 3 days. Amex, VISA, MasterCard, Discover and COD orders accepted. Please call for further information.

- **Reduced STALL SPEED 6 mph!**
- **FAA STC Approved**
- **Easy One Day Installation**
- **Improved Characteristics**
- **Complete Kit**
- **Kit Price \$695 plus S&H**



**MICRO**  
AERODYNAMICS INC.  
Vortex Generator Technology

(800) 677-2370  
4000 Airport Road, Suite D  
Anacortes, Washington 98221  
(360) 293-8082 FAX (360) 293-5499  
<http://www.microaero.com>  
[micro@microaero.com](mailto:micro@microaero.com)